



FT260 SPRING RETURN CABLE REEL

Robust, small reel, ideal for ceiling/wall or floor mounting.

The FT260 brings power to any application in a safe and efficient manner. It is a sturdy, all thermoplastic design made from high-quality materials, electrically insulated and corrosion resistant.



Depending on requirements, the desired length of cable is unwound; the remaining cable is neatly stored on the reel - safe from dirt and damage. When the cable connection is no longer required, a short pull on the stopper and the cable neatly rewinds. A spring return cable reel means a safe and organized workplace. Supplied with a variety of lengths, sizes of cable.

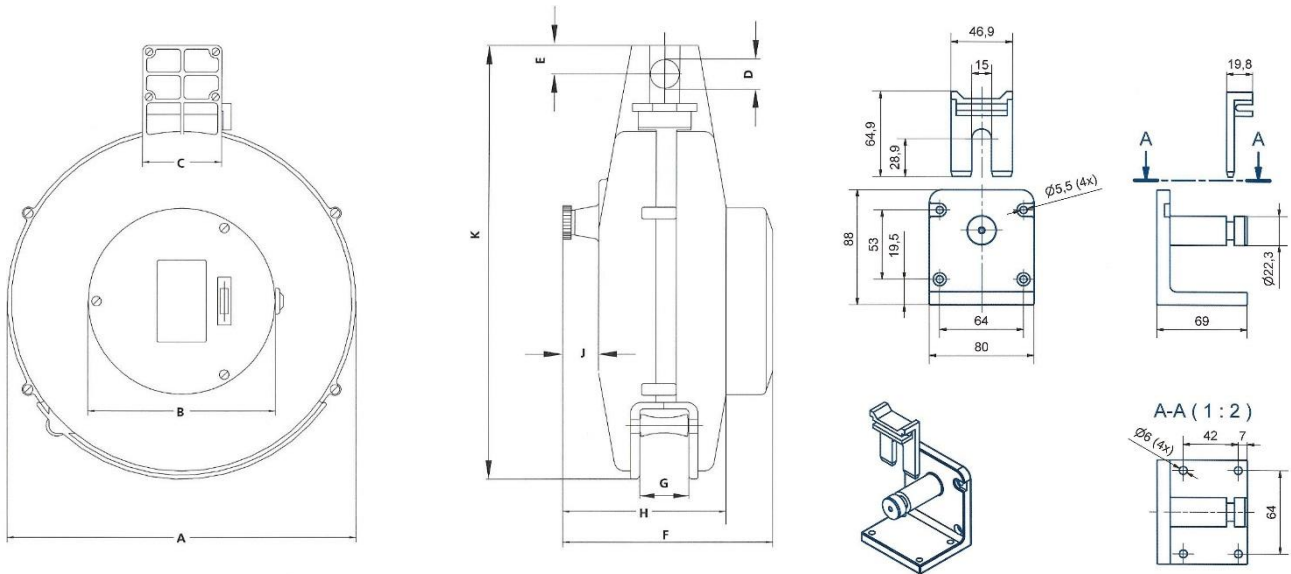
Features:

- Adjustable ball stop
- Ratchet on/off facility
- Fused terminal block
- 0.8mOhm contact resistance
- Universal mounting bracket
- IP20 protection
- High quality brass slip ring with silver contacts
- Operating temperature +5° to +60°C

Dimensions: FT260 (mm)

A	B	C	D	E	F	G	H	J	K
260	140	60	22	22	175	36	122	26	325

Fixing bracket:



Specifications for full range:

Part Number	Cable	Load Wound	Load Unwound	Weight Kg	Model
400001	12m 3 x 1.0mm ²	4A	10A	4.1	FT260.0312
400002	8m 3 x 1.5mm ²	8A	10A*	4.0	FT260.0308
400003	5m 5 x 1.5mm ²	5A	10A*	4.0	FT260.0505
400004	10m 1 x 10mm ²	Earthing Reel		4.5	FTE260.0110
400005	6m 4 x 1.5mm ²	4A	10A	4.0	FT260.0406
400006	10m 2 x 10mm ²	100w @ 24v		7.5	FT260.0210
400007	5m 3 x 2.5mm ²	8A**	16A**	4.0	FT260.0305 16A/240V
400008	5m 3 X 4.0mm ²	16A**	32A**	5.0	FT260.0305 32A/240V
400009	5m 3 x 2.5mm ²	8A**	16**	4.0	FT260.0305 16A/110V
400010	5m 3 x 4.0mm ²	16A**	32A**	5.0	FT260.0305 32A/110V

*May be increased to 16A by replacing the fused terminal block with a standard terminal block. Please ensure the cable is suitably protected.

** No internal fuse block. Please ensure the cable is suitably protected.