

# FT150

## SPRING RETURN CABLE REEL



Tel: +44 (0) 1304 612 957

### Part #: 428438

Small, lightweight reel suitable for small workshops, Labs, Schools & garages.

Entry level retractable reel capable of bringing power to any application in a safe and efficient manner. It is a sturdy, all thermoplastic design made from high-quality materials, electrically insulated and corrosion resistant. Depending on requirements, the desired length of cable is unwound; the remaining cable is neatly stored on the reel - safe from dirt and damage. When the cable connection is no longer required, a short pull on the stopper and the cable neatly rewinds. A spring return cable reel means a safe and organized workplace.



#### Features:

- Adjustable ball stop
- Ratchet on/off facility
- Fused terminal block
- 0.8mOhm contact resistance
- Universal mounting bracket
- IP20 protection
- High quality brass slip ring with silver contacts
- Supplied with 4 metres of oil resistant 3G1.0 H05VV-F cable
- Operating temperatures of +5°C to +60°C.

**Model:** FT150.0304

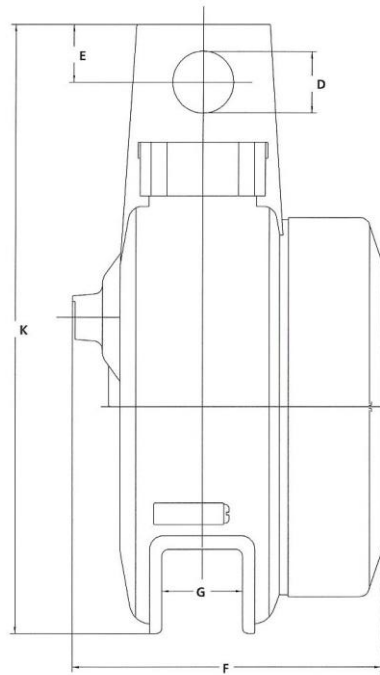
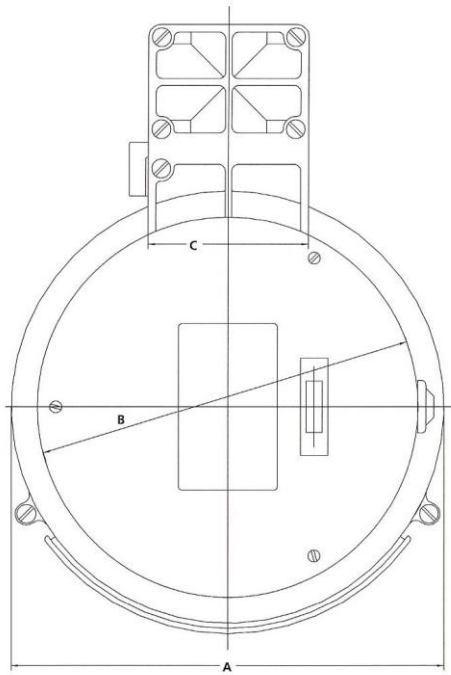
**Cable Length & Size:** 4m 3x1.0mm<sup>2</sup>

**Max Load Wound & Unwound:** 4A / 10A

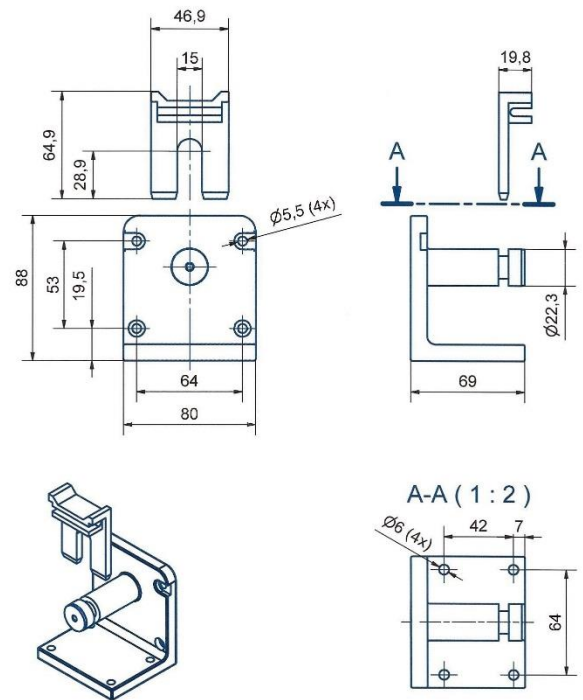
**Weight:** 1.3kg

**Part No:** 428438

## Dimensions FT150



## Universal Fixing Bracket



### Dimensions (mm):

A	B	C	D	E	F	G	K
160	140	59	23	21	132	30	225

For any further information please contact:

Cablecaddy Ltd  
 Unit 2 Crystal Business Centre  
 Sandwich  
 Kent  
 CT13 9QX  
 United Kingdom  
 Tel: 01304 612957 Fax: 01304 621111  
 Email: [info@cablecaddy.co.uk](mailto:info@cablecaddy.co.uk)  
<http://www.marcaddy.com>