

FT046: SPRING RETURN CABLE REEL



Tel: +44 (0) 1304 612 957

Large metal flanged reel designed for longer lengths of cable and use externally.



Metal flanged larger version of the FT038 designed for use outdoors (IP44).

Available in 16, 25 and 40-amp versions - including 4 & 5-wire 3-Ph 415v options.

It is a sturdy, metal and thermoplastic design made from high-quality materials, electrically insulated and corrosion resistant.

Depending on requirements, the desired length of cable is unwound; the remaining cable is neatly stored on the reel - safe from dirt and damage.

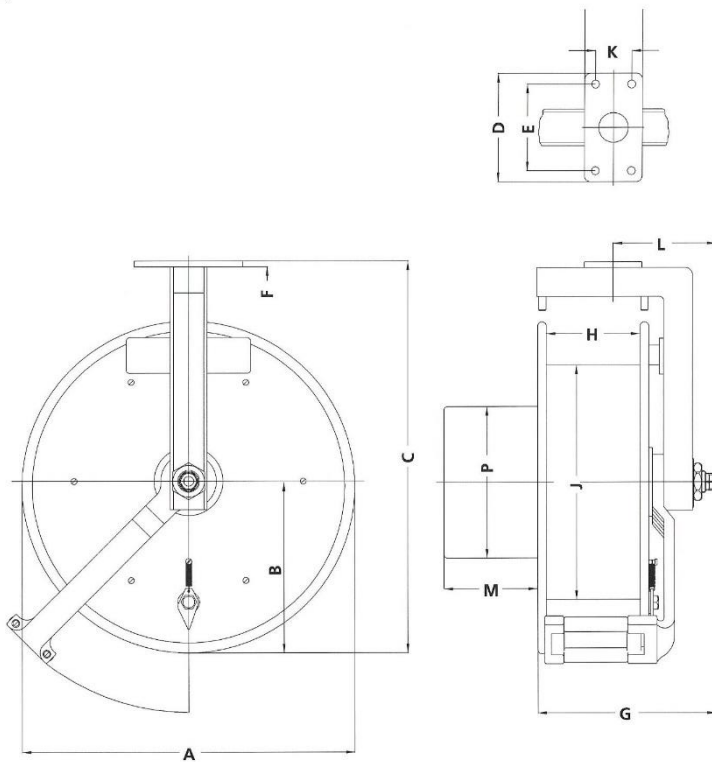
When the cable connection is no longer required, a short pull on the stopper and the cable neatly rewinds. A spring return cable reel means a safe and organized workplace.

Features:

- 16A - 40A versions – including 4 & 5-wire 3-Ph options.
- Adjustable ball stop
- Adjustable on/off ratchet facility
- 0.8mOhm contact resistance
- IP44 protection
- Heavy duty brass slip ring with silver contacts
- Maintenance free ball bearings

Supplied with a varying lengths, sizes and types of cable, with an operating temperature range of +5°C to +60°C.

See specifications for full range: -
 Dimensions (mm): FT046



A	460
B	320
C	543
D	150
E	120
F	8
G	247
H	130
J	320
K	50
L	143
M	100
N	80
O	10
P	212

Specification: FT046 (HO7RN-F Cable)

Model	Cable Length Cores & Size	Max Load		Weight	Part No
		Wound	Unwound		
FT046.0520.25	20m 5x2.5mm ²	9A	25A	31kg	403001
FT046.0325.25	25m 3x2.5mm ²	11A	25A	30kg	403002
FT046.0333.16	33m 3x1.5mm ²	8A	16A	29kg	403003
FT046.0530.16	30m 5x1.5mm ²	8A	16A	31kg	403004
FT046.0725.16	25m 7x1.5mm ²	8A	16A	32kg	403005
FT046.0430.16	30m 4x1.5mm ²	8A	16A	30kg	403011
FT046.0520.40	20m 5x4.0mm ²	14A	40A	35kg	403012
Swivel Bracket (floor/ceiling mounting)				3.5kg	403100