

# EFT Range: SPRING RETURN CABLE REEL



Tel: +44 (0) 1304 612 957

---

## Small compact reel ideal for powering mobile appliances.

A range of hi-impact resistant thermoplastic reels in three sizes.

Designed to be fitted as an integral unit into equipment such as industrial catering trolleys, x-ray equipment or where mobile equipment requires a power source.

The sturdy, all thermoplastic design - made from high-quality materials, electrically insulated and corrosion resistant.

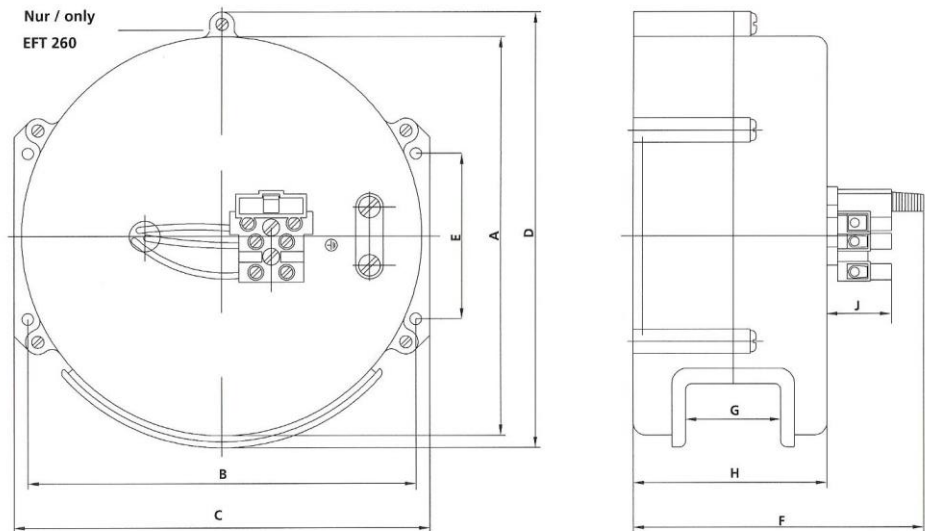


Depending on requirements, the desired length of cable is unwound; the remaining cable is neatly stored on the reel - safe from dirt and damage. When the cable connection is no longer required, a short pull on the stopper and the cable neatly rewinds. A spring return cable reel means a safe and organized workplace.

## Features:

- Adjustable ball-stop
- Available with and without ratchet
- Fused terminal block (Removeable)
- 0.8 mOhm contact resistance
- High quality brass slip ring with silver contacts
- Operating temp: +5 to +60°C

## Dimensions:



## Variations (Type/mm): Fixing holes = 5.5mm Dia.

TYPE	A	B	C	D	E	F	G	H	J
EFT130	130	<b>126</b>	135	134	<b>54</b>	94	31	63	21
EFT160	158	<b>154</b>	162	162	<b>63</b>	94	31	66	21
EFT265	260	<b>250</b>	264	270	<b>104</b>	129	31	101	21

## Specifications & Part numbers:

Model	Cable Length, Cores & Size	Max Load		Weight	Part No
		Wound	Unwound		
EFT160.R.0305	5m 3 x 0.75mm <sup>2</sup>	4A	6A	1kg	<b>428432</b>
EFT160.0305 *	5m 3 x 0.75mm <sup>2</sup>	4A	6A	1kg	<b>428433</b>
EFT160.R.0304	4m 3 x 1.00mm <sup>2</sup>	5A	10A	1kg	<b>428434</b>
EFT160.0304	4m 3 x 1.00mm <sup>2</sup>	5A	10A	1kg	<b>428435</b>
EFT130.R.0303	3m 3 x 0.75mm <sup>2</sup>	4A	6A	1kg	<b>428436</b>
EFT130.0303 *	3m 3 x 0.75mm <sup>2</sup>	4A	6A	1kg	<b>428437</b>
EFT265.R.0308	8m 3 x 1.50mm <sup>2</sup>	8A	10A	4kg	<b>428450</b>
EFT265.0308 *	8m 3 x 1.50mm <sup>2</sup>	8A	10A	4kg	<b>428451</b>
EFT265.R.0505	5m 5 x 1.50mm <sup>2</sup>	6A	10A	4kg	<b>428452</b>
EFT265.0505 *	5m 5 x 1.50mm <sup>2</sup>	6A	10A	4kg	<b>428453</b>
Terminal cover for EFT160/265					<b>428442</b>
<b>* These models are supplied WITHOUT ratchet facility</b>					